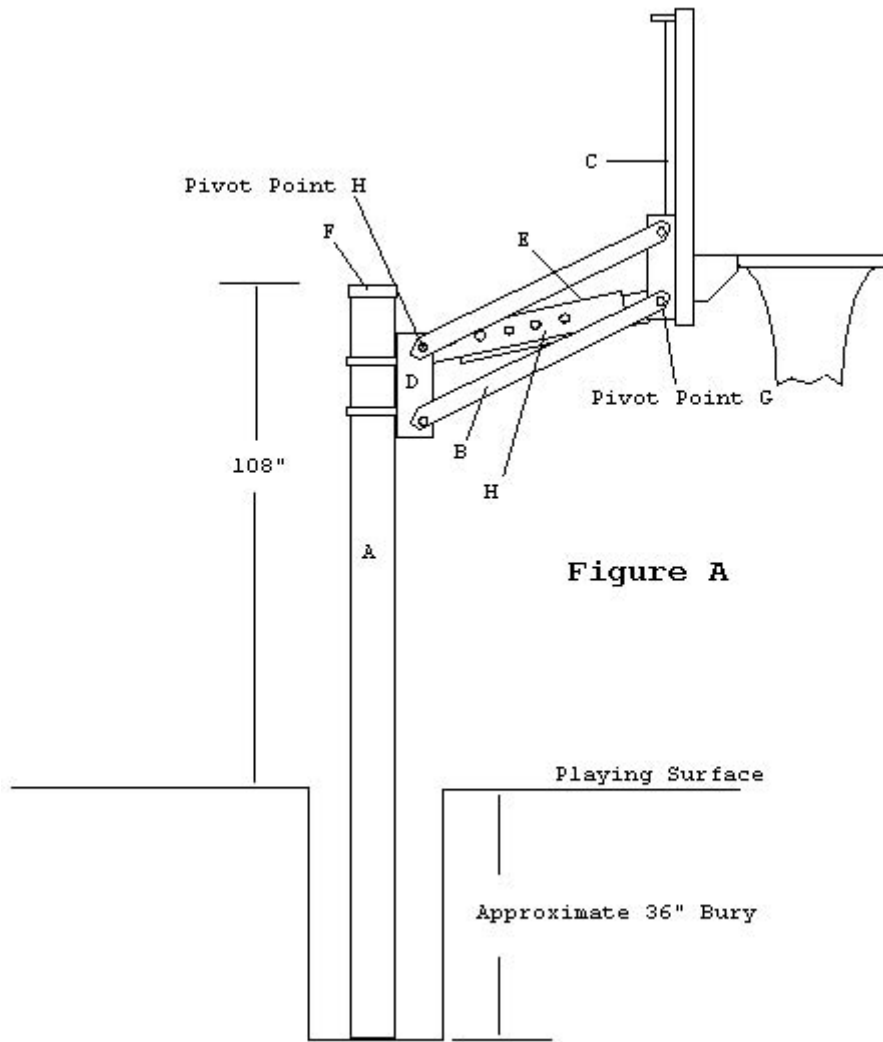


Champ Series Assembly Instructions



Bill of Materials

A (1) Vertical Post	J (4) ½" Hex Nut	I (4) ½" Lockwasher
B (4) Extension Arm	K (4) ½" x 10" Hex Bolt	J (4) ½" Hex Nut
C (1) I-Frame Backboard Support	L (4) ½" Locknut	K (4) ½" x 10" Hex Bolt
D (1) Extension Arm Support	M (1) 3/8" Hex Nut	L (4) ½" Locknut
E (1) Insta- Just Bracket	N (8) ½" Nylon Flatwasher	M (8) ½" Nylon Flatwasher
F (1) 4" Square Post Cap		
G (2) 4" U-Bolt		
H (1) Lift Spring		

NOTE: Immediately unpack all components and cross check against bill of materials. Report any shortages to First Team customer service at 1-888-884-6677.

1. Locate and dig a 12" minimum diameter x 36" deep hole.

2. Fill hole with wet premixed concrete, insert vertical pole leaving exactly 108" above desired playing surface. Vibrate to settle concrete.
3. Check post again, it is important that the top of post be exactly 108" above playing surface. Make sure post is straight and plumb. Brace while drying if necessary. Allow 24 hours minimum drying time before continuing assembly. Place 4" square post cap on top of pole.
4. Using 4"x ½" U-Bolts, lockwashers and nuts attach the extension arm support to the vertical pole either at desired rim height or at ground level. If you choose to use the unit at the 10' playing level, the bottom of extension arm support D will be located approximately 96" up from playing surface.
5. Loosely attach the lower two extension arms to the extension arm support using a ½"x 10" hex bolt, ½" locknut and (2) ½" nylon flatwashers. (Flatwashers fit between extension arm support and extension arms to prevent paint rubbing) Then, attach the upper two extension arm to the extension arm support as described above, while doing so make sure to also attach the Insta-Just bracket using the same ½"x 10" hex bolt as shown on Figure A. Figure C indicates which end to attach to Pivot Point H. The Insta-Just bracket should be installed with the open side facing down.
6. Attach the I-Frame Backboard support to the lower set of arms (I-Frame should be "FACE FORWARD") using a ½"x 10" hex bolt, locknut and nylon flatwashers. ATTENTION: Make sure to also bolt Insta-Just bracket to Pivot Point G at this time. It fits on the ½" hex bolt located at pivot point G (see figure A) and straddles the 1" square tubing support at the bottom of the I-Frame. Note: Insta-Just bracket should be installed with the open side pointing down. Next, attach the upper set of extension arms to the I-Frame backboard support as described above.
7. Remove and discard the plastic shipping block currently located at the backboard joint. Hang the backboard on the I-Frame as shown in Figure B. Then, using the 5/16" hardware provided with the backboard frame, bolt the Backboard I-Frame support to the center four holes located at the top of your backboard as shown in Figure B. DO NOT TIGHTEN 5/16" HARDWARE AT THIS TIME. Leave the nuts loose, they will be tightened at the end of the installation.
8. Attach desired rim with the hardware provided in the rim box. Place one rubber gasket (included with the backboard) between the face of the backboard and the backplate of the rim, the other should be placed between the Backboard I-Frame support and the backside of the backboard. Trim gaskets if necessary.
9. Tighten the 5/16" hardware holding the I-Frame Backboard Support to the Aluminum Backboard frame discussed above in step 7. (see Figure B)
10. Tighten all bolts. Make sure rim is level to board, etc. If you are working at ground level do not tighten the 4" U-Bolts yet.
11. If the assembly is at ground level: slide entire unit to desire height and tighten U-Bolts making sure entire project is level and square. IMPORTANT! Overtightening U-Bolts can cause damage to the extension arm support, just tighten U-Bolts until they are snug.
12. With the unit adjusted all the way up, attach one lift spring from pivot point G to pivot point H. If you purchased a Champ III or Champ Select package you should have received 2 lift springs, attach one on either side of the Insta-Just bracket.

Helpful Tip: You may find it helpful to loop a rope over pivot point H and attach it to one end of the spring. Then with the spring already attached to pivot point G pull down on the rope, extending the spring until it hooks itself over pivot point H.

Helpful Tip: You may find it helpful to loop a rope over pivot point H and attach it to one end of the spring. Then with the spring already attached to pivot point G pull down on the rope, extending the spring until it hooks itself over pivot point H.

Figure B

5/16" Attachment Hardware

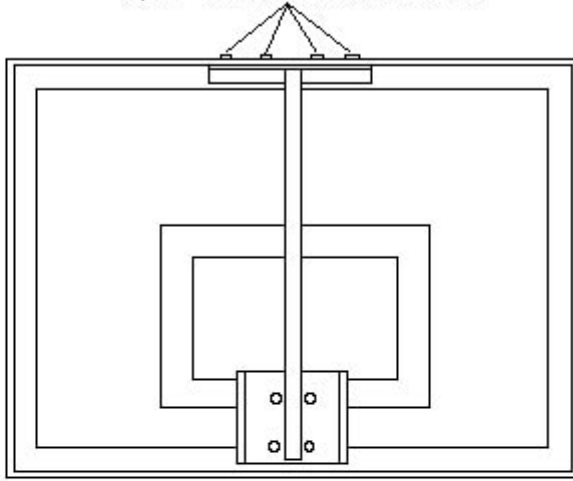


Figure C

